

INSTRUCTION MANUAL

VSP-3000

System Controller

English

GB



About this manual

- Before installing and using this unit, please read this manual carefully. Be sure to keep it handy for later reference.

Contents

Introduction

Precautions	2
Safety Cautions	3
Main features	7
Accessories	7

Preparations

Part names	8
Connection method	10
■ Connecting to a Sanyo camera.....	10
■ Connecting to a Sanyo DVR	11
■ Connecting to a Sanyo DVR with a mouse function	12
Menu settings	13
■ Main menu steps.....	13
1 Language setting	14
2 Title setting	14
List of title input characters	14
3 Control ID setting.....	15
4 Termination setting.....	15
5 Sleep setting	16
6 Buzzer setting	16
7 Backlight setting.....	17
8 Mouse setting	17
9 DVR link setting	18
10 Password setting.....	18
11 Default setting.....	19
Camera settings.....	20
■ Camera setup steps.....	20
1 Address setting	21
2 Protocol setting	21
3 Baud rate setting.....	22
4 Pan and tilt speed setting.....	22
5 DVR address and channel setting	23

Operation

Camera operations	24
■ Operating the camera from the system controller	24
■ Camera operation buttons	24
■ Operating the camera by changing camera menu settings using the system controller	25
■ Auxiliary function operation.....	26
■ Preset position retrieval operation	26
■ Preset memory operations.....	26
■ Retrieving pan, sequence and tour operations recorded in a PTZ camera	27
DVR operation.....	28
■ Switching the DVR screen display	28
Operating a DVR with mouse function	29

Others

Appendices	30
■ List of auxiliary commands for Sanyo cameras	30
■ Camera address numbers (default value) ...	31
Specifications	32
■ External dimensions	32

SERVICE

This unit is a precision instruments and if treated with care, will provide years of satisfactory performance. However, in the event of a problem, the owner is advised not to attempt to make repairs or open the cabinet. Servicing should always be referred to your dealer or Sanyo Authorized Service Center.


Precautions


■ For UL Users



CAUTION: TO REDUCE THE RISK OF ELECTRIC SHOCK, DO NOT REMOVE COVER (OR BACK). NO USER-SERVICEABLE PARTS INSIDE. REFER SERVICING TO QUALIFIED SERVICE PERSONNEL.

WARNING: To reduce the risk of fire or electric shock, do not expose this appliance to rain or moisture.

 The lightning flash with arrowhead symbol, within an equilateral triangle, is intended to alert the user to the presence of uninsulated “dangerous voltage” within the product’s enclosure that may be of sufficient magnitude to constitute a risk of electric shock to persons.

 The exclamation point within an equilateral triangle is intended to alert the user to the presence of important operating and maintenance (servicing) instructions in the literature accompanying the product.

CAUTION: Changes or modifications not expressly approved by the manufacturer may void the user’s authority to operate this equipment.

This equipment has been tested and found to comply with the limits for a Class B digital device, pursuant to part 15 of the FCC Rules. These limits are designed to provide reasonable protection against harmful interference in a residential installation. This equipment generated, uses and can radiate radio frequency energy and, if not installed and used in accordance with the instructions, may cause harmful interference to radio communications. However, there is no guarantee that interference will not occur in a particular installation. If this equipment does cause harmful interference radio or television reception, which can be determined by turning the equipment off and on, the user is encouraged to try to correct the interference by one or more of the following measures:

- Reorient or relocate the receiving antenna.

- Increase the separation between the equipment and receiver.
- Connect the equipment into an outlet on a circuit different from that to which the receiver is connected.
- Consult the dealer or an experienced radio/TV technician for help.

■ For the customers in Canada

This class B digital apparatus complies with Canadian ICES-003.

■ For EU Users

Please note:

Your SANYO product is designed and manufactured with high quality materials and components which can be recycled and reused.

This symbol means that electrical and electronic equipment, at their end-of-life, should be disposed of separately from your household waste.

Please dispose of this equipment at your local community waste collection/recycling centre.

In the European Union there are separate collection systems for used electrical and electronic products.

Please help us to conserve the environment we live in!



This symbol mark and recycle system are applied only to EU countries and not applied to the countries in the other area of the world.

SANYO FISHER Sales (Europe) GmbH
Stahlgruberring 4, D-81829 München, Germany

SANYO Electric Co., Ltd.
1-1, Sanyo-cho, Daito City, Osaka 574-8534, Japan

■ For Russian Users

This product certified by official certification company which is authorized by Russian Federation.



АЯ46

ДЛЯ ПОЛЬЗОВАТЕЛЕЙ РОССИИ
Данная продукция сертифицирована официальным органом по сертификации Российской Федерации.

Safety Cautions

Main Unit

WARNING

■ Never use when unit emits smoke, unusual noises, or unusual smells.

Using under these abnormal conditions can cause fires and electric shock.

Immediately unplug the AC adapter power plug from the outlet, confirm that the smoke stops, and then request repairs from the installer or the purchasing source.

Never attempt to repair the unit on your own, as this is dangerous.

■ Never disassemble or modify

- Touching the internal parts is dangerous, and can cause fires and electric shock.
- Request internal inspection, adjustment, and repairs from the installer or the location of purchase.

■ Never get unit wet

- This unit is not waterproof or dustproof. Do not install where exposed to rain, excessive humidity, or excessive dust. This can cause fires and electric shock.
Do not install in a bath or shower room.
- In the event that water enters the unit interior, unplug the AC adapter power plug from the outlet, and contact the installer or location of purchase. Continued use can cause fires, electric shock, and unit breakdowns.

■ Do not use during thunderstorms

Do not use this during thunderstorms. In particular, never touch the AC adapter or connection cables. This can cause electric shock.

■ Do not install in unstable location

- The unit may fall or topple, causing injuries or unit breakdowns.
- In the event that the unit is dropped or the cabinet is broken, unplug the AC adapter power plug from the outlet, and contact the installer or location of purchase. Continued use can cause fires or electric shock.

■ Do not use in locations with explosion risk

Do not use in locations where flammable gas or explosive gas may exist in the atmosphere. This can cause ignition and explosion.

Fogging (Condensation)

Drops of water form on the outside of a glass containing very cold water. Similarly, droplets can form on the interior of this unit. This is called fogging, or condensation.

Using the unit during fogging can cause a unit breakdown.

Be careful of fogging when the environment temperature changes suddenly, such as when heating the room quickly.

Fogging does not occur while electrical current is present.

When fogging could occur...

Turn OFF the unit power, and leave the unit in its installed position for one to two hours before use.

Provided AC Adapter

CAUTION

■ Transport with care

Unplug the AC adapter power plug from the outlet, confirm that connection cables are disconnected, and transport carefully to avoid dropping the unit or subjecting it to severe shock.

■ Cautions for care or long-term disuse

Unplug the AC adapter power plug from the outlet. Caring for the unit with the AC adapter connected can cause electric shock.

■ Cleaning the interior

For cleaning the interior, consult the installer or the location of purchase. When dust has accumulated inside the unit over time without cleaning, this can cause fires or unit breakdowns.

■ Installation location

This unit is comprised of precision electronic parts. Never install in the locations described below, as this can cause operation errors and unit breakdowns.

- In direct sunlight
- In extreme humidity or where humidity fluctuates wildly
- Where water could be splashed
- Near heating/cooling equipment or humidifiers.
- Where cold air from air conditioners contact the unit directly
- Where dust is extreme
- Near a spark source
- Near magnetic objects
- Near explosive materials
- Where subject to vibration

DANGER

■ Only use with 100 to 240V power source voltage.

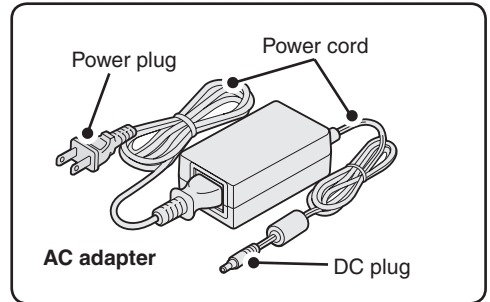
This can cause fires and electric shock.

■ Never disassemble or modify

- Touching the internal parts is dangerous, and can cause fires and electric shock.
- Never use as a DC power source unit.

■ Never get unit wet

- Never submerge in water or get unit wet. This can cause fires and electric shock.
- Do not use in a bath or shower room.
- In the event that water enters the unit interior, unplug the power plug from the outlet, and contact the installer or location of purchase. Continued use can cause fires, electric shock, and unit breakdowns.



Provided AC Adapter

WARNING

■ Use only the provided AC adapter

Use the provided AC adapter. Using a different AC adapter can cause fires or electric shock, due to differences in power cord current capacity.

■ Never touch the AC adapter with wet hands

This can cause electric shock.

■ Power cord

Never bundle up the power cord during use. This can cause overheating, fires and electric shock.

■ When using an extension cord

Be careful that the total power consumption of the connected equipment does not exceed the rated power of the extension cord.

Exceeding the rated power can cause fires.

■ Power plug

Never use while abnormality is not corrected.

The following situations can cause fires or electric shock.

- Never allow dust to accumulate on power plug or in outlet insertion holes. Dust and dirt on either contact portion can cause an electric short or overheating. Wipe off with a dry cloth.
- When using an outlet where humidity is high or condensation forms easily, or an outlet in a kitchen or dusty environment, unplug the power plug regularly and wipe off the dust and dirt adhering to the plug.
- Never pull the power cord to unplug the power plug.
Always hold the power plug when unplugging.
- Never leave the power plug plugged into the outlet while the DC plug is disconnected from the power source input terminal on this unit. This can cause electric shock when touching with wet hands, or when an infant places the power plug in his/her mouth.
- Never use an outlet if the power plug is fully seated but is still loose in the outlet. This can cause fires due to overheating.
- Never use the power plug when it is damaged. When the plug has poor contact, consult the installer or the location of purchase.

CAUTION

■ Do not connect to other equipment

The provided AC adapter and power cable are exclusively for use with this unit. Connecting to other equipment can cause fires or electric shock.

■ Power cord

Damaging the power cord in the following manner can cause fires or electric shock.

When the power cord is damaged, consult the installer or the location of purchase.

- Never place a heavy object on the power cord, or expose to heating equipment, heated surfaces (front surface of heaters), or direct sunlight.
- Do not stress the power cord with the weight of the AC adapter unit.
- Never bundle up the power cord during use.
- Never bend, modify, or staple the power cord.

■ Power cord connection

Route the power cord and connecting cables with care. Tripping over power cords can cause injuries due to falls or falling equipment.

■ Connect power plug securely to outlet

Using with an incomplete connection can cause fires due to overheating.

■ Do not place in unstable location

Place the unit in a stable location.

Placing the unit in an unstable location can cause injuries or unit breakdowns, due to falling or toppling equipment.

Always Observe These Rules for Proper Use

■ Caring for the Unit

**Unplug the power plug from the outlet.
Gently wipe away any contamination, using a soft cloth.**

When heavily soiled...

**Immerse a cloth in neutral detergent thinned with water, wring it well, and wipe the unit.
Finish with a dry cloth.**

Cautions

- Never use benzene or paint thinner to clean the unit. The unit could discolor, or paint could be removed.
- When using chemically treated cloths, note the cautions on the package.
- Do not expose the unit to volatile chemicals such as pesticides. Do not leave the unit in contact with rubber or plastic products for long periods. The unit could discolor, or paint could be removed.

■ When not using for long periods

Unplug the power plug from the outlet. However, this could damage the functions. Connect the power and operate the unit occasionally.

Main features

- You can use the joystick to carry out pan, tilt and zoom operations for the camera.
- RS-485 communication cable can be connected.
- Password setting is available.

Trademark

Brands and product names described in this document are trademarks or registered trademarks of their respective companies.

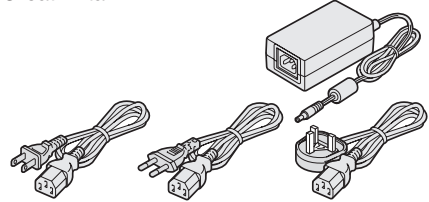
Licensed Under U.S. Patent No. 4974088

Accessories

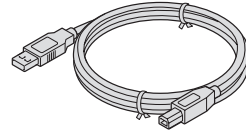
Check that all accessories are included.

AC adapter/power cord x 3

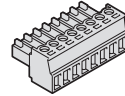
- North America: 1
- Europe: 1
- Great Britain: 1



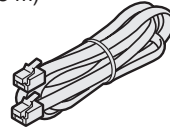
USB cable



Connector

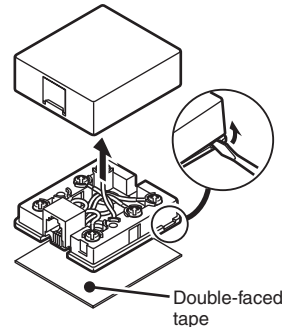


Modular cable
(Straight type: 3 m)

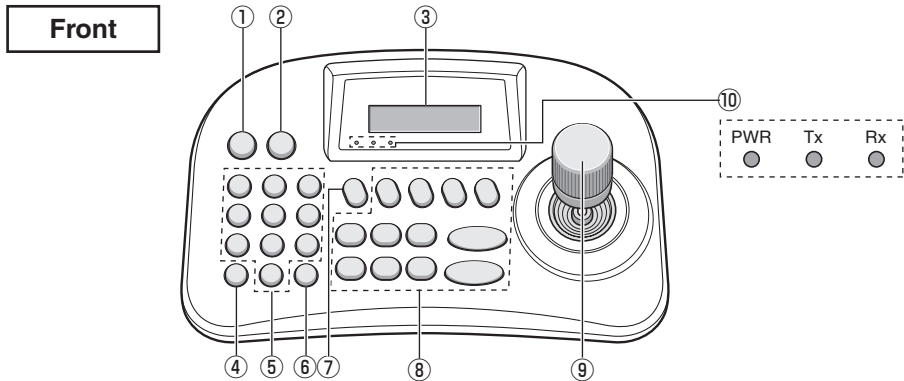


- Communication conversion connector
- Double-faced tape

(How to disassemble)



Part names



DVR: Digital video recorder

① Escape/Power button (ESC/PWR)

ESC:

This is used to exit from the current operating menu and return to the initial screen.

PWR:

- When you press the button, the power turns on and the PWR indicator on the power/communication indicator panel illuminates. The version information will be displayed in the menu display, and then the initial screen will be displayed.

(Version information)

SANYO VSP-3000
Ver : X.XX

(Initial screen)

SANYO SSP 19.2k
CAM: 001 D1 CH01

- If you press and hold the button for approximately 3 seconds, “**POWER OFF**” will be displayed. When you release the button, the power will turn off.

SANYO SSP 19.2k
< **POWER OFF** >

② Mouse button (🖱️)

If the accessory USB cable is used to connect a DVR with a mouse function (sold separately) to the USB mouse port at the rear of the system controller, the joystick can be used to operate the cursor. (P29)

③ Menu display

This displays the information which is required for menu settings.

④ Clear button (CLR)

This button is used to correct any character input errors such as passwords.

⑤ Numeric buttons (0 to 9)

These are used to select camera numbers and for character input.

⑥ Enter button (ENT)

This is used to confirm menu settings.

⑦ DVR operation button (P28)

⑧ Camera operation buttons

These are used to operate the cameras. (P20)

⑨ Joystick

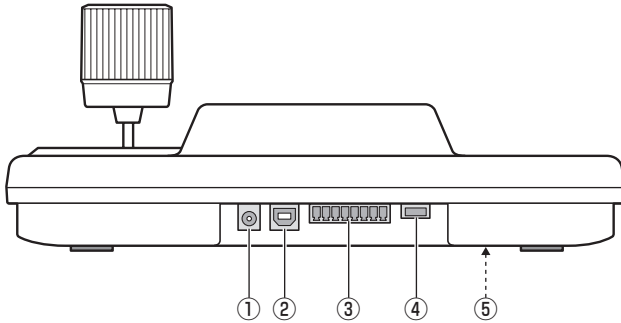
This controls the pan (left and right), tilt (forward and back) and zoom in and out (rotation) operations of the camera. In addition, it is used to select menu items which are appearing in the menu display.

⑩ Power/communication indicator panel

- **PWR (Power):** Illuminates when the power is turned on.
- **Tx:** Flashes while a command is being sent.
- **Rx:** Flashes while a command is being received.

Part names (continued)

Rear



① Power terminal (DC 12 V)

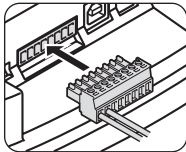
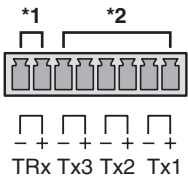
Connect the accessory AC adapter to the DC terminal.

② USB mouse port (USB)

Connect the accessory USB cable to this port if using a DVR with a mouse function.

③ RS-485/RS-422 communication terminals (TRx, Tx3, Tx2, Tx1)

When operating a camera or DVR, connect the cable from that device to the accessory connector, and then insert the connector into these terminals.



*1 For Sanyo SSP connections (TRx)

- +: RS485A
- : RS485B

If the DVR uses only an RJ11 terminal, use the accessory modular cable and the conversion connector. (P11)

*2 For PELCO-D/HSSP connections (Tx3 to Tx1)

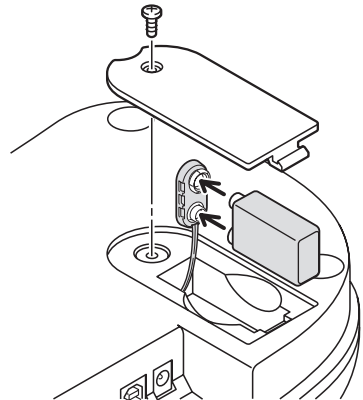
- +: RS485A
- : RS485B

④ Program terminal (PROGRAM)

This is for service use.

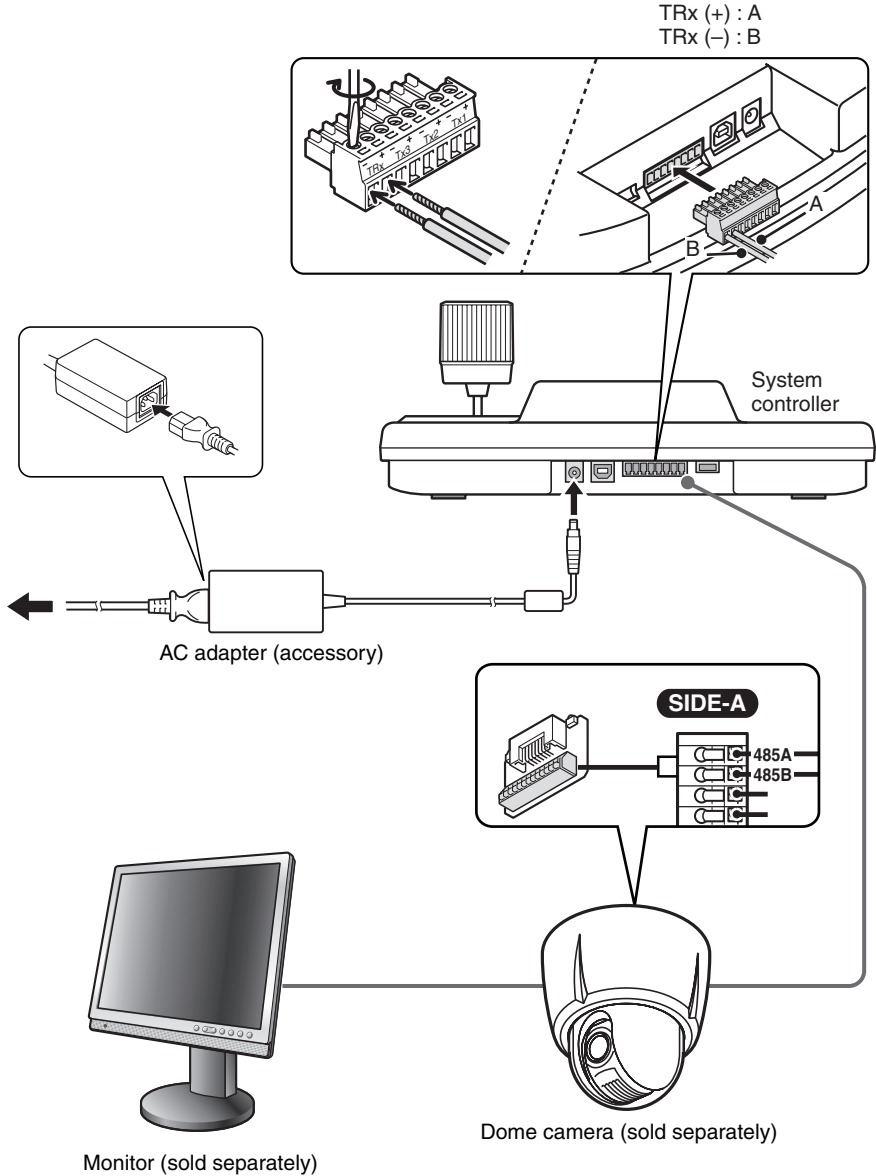
⑤ Battery compartment (DC 9 V)

Use commercially-available alkaline battery.



Connection method

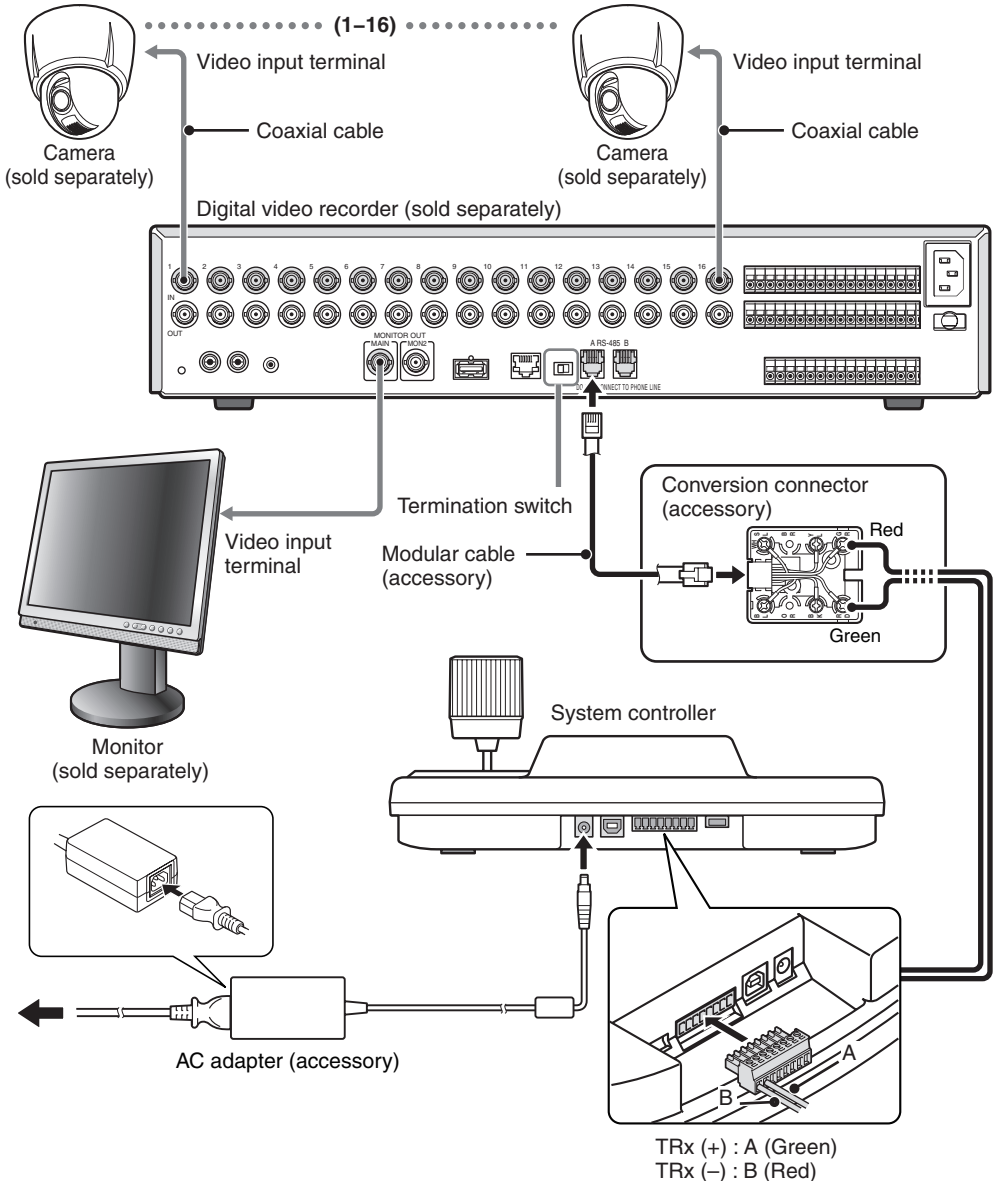
■ Connecting to a Sanyo camera (Operation: P20)



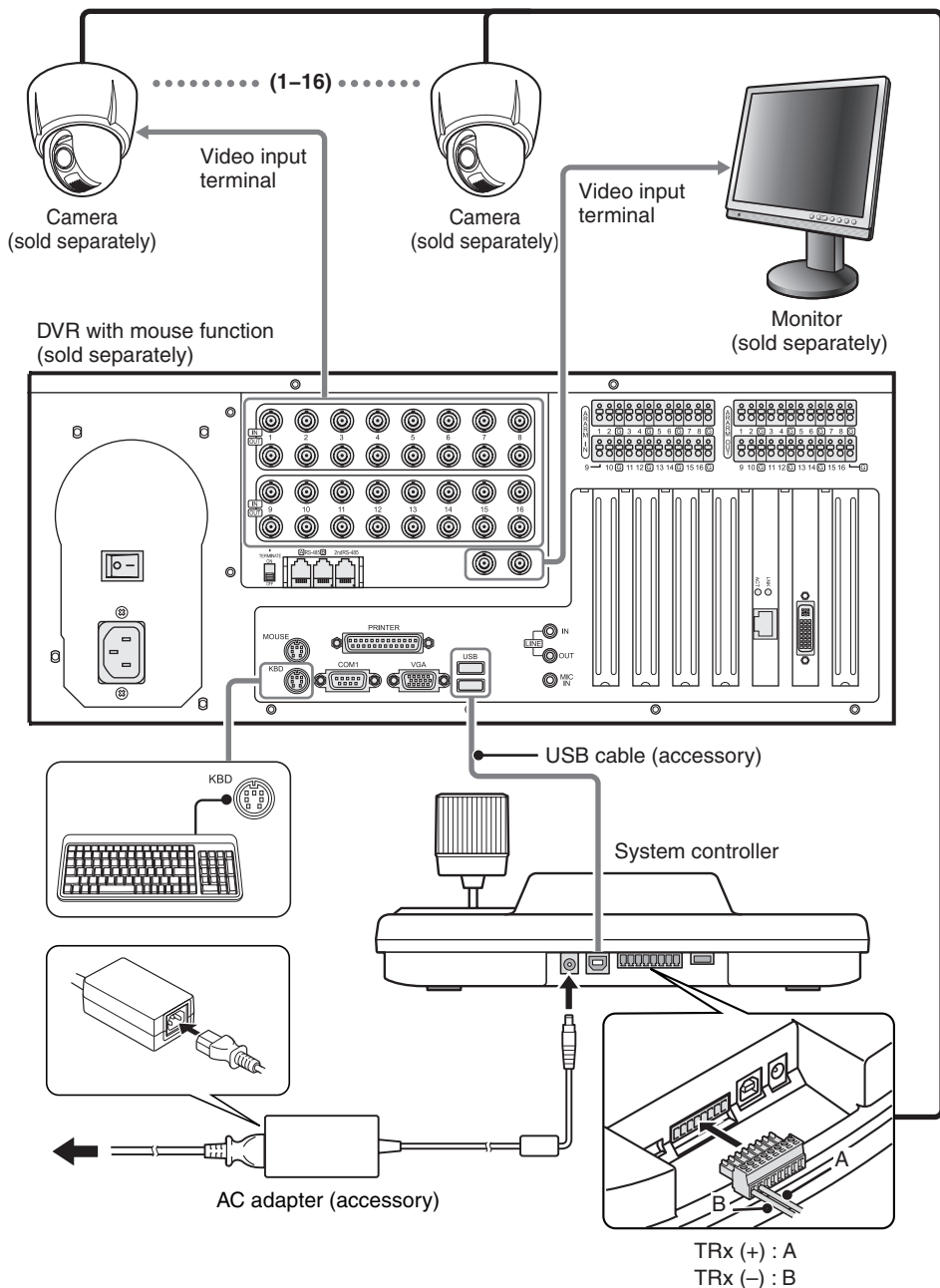
Connection method (continued)

■ Connecting to a Sanyo DVR (Operation: P28)

Set the protocol to “SSP” for all of the cameras being connected. (Protocol setting: P21)



■ Connecting to a Sanyo DVR with a mouse function (Operation: P29)



Menu settings

■ Main menu steps

Press the **SUB MENU/MAIN MENU** button.

The MAIN MENU screen appears in the menu display and you are prompted to enter the password. No password is set initially, so simply press the ENT button. "1.VER: X.XX" will then be displayed.



[MAIN MENU]
PASSWORD [----]

.... To set a password, refer to "**10 Password setting**" in the menu setting section. (P18)



[MAIN MENU]
OK

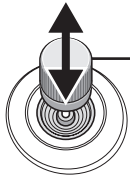


[+ MAIN MENU]
1.VER: X.XX



Use the joystick to switch menu displays.

To save the menu settings, select "14. SAVE/EXIT".



[MAIN MENU]
2. DATE: DEC. 03

.... This is the firmware information. It cannot be changed.

3. LANGUAGE SET ▷

.... **1** Language setting (English only) P14

4. TITLE SET ▷

.... **2** Title setting P14

5. CONTROL ID: 0

.... **3** Control ID setting P15

6. TERMINATE: ON

.... **4** Termination setting P15

7. SLEEP: OFF

.... **5** Sleep setting P16

8. BUZZER: OFF

.... **6** Buzzer setting P16

9. BACKLIGHT: OFF

.... **7** Backlight setting P17

10. MOUSE SET: OFF

.... **8** Mouse setting P17

11. DVR LINK: ON

.... **9** DVR link setting P18

12. PASSWORD: ****

.... **10** Password setting P18

13. FACTORY SET ▷

.... **11** Default setting P19

14. SAVE/EXIT ▷

.... Saving and returning to the initial screen



To cancel any changes you have made while carrying out menu settings, press the ESC/PWR button. The display will return to the initial screen. Any menu settings which you have changed will not be saved.

1 Language setting

The only available language for menus is English. No setting is necessary.



When “ENGLISH” is displayed, press the ENT button or the ESC/PWR button to return to the MAIN MENU screen.

[↓ MAIN MENU]
3. LANGUAGE SET ▷



[LANGUAGE SET →]
ENGLISH

List of title input characters

[¥]	^	■	!	"	#	\$	%	&	'
()	*	+	,	-	.	/	0	1	2	3
4	5	6	7	8	9	:	▷	<	=	>	?
@	A	B	C	D	E	F	G	H	I	J	K
L	M	N	O	P	Q	R	S	T	U	V	W
X	Y	Z									

2 Title setting

This sets a title (maximum 16 characters) for the system controller.

(Default setting: VSP-3000 → Example: SAN 1001)

- 1 Move the joystick up or down to select “4. TITLE SET”.

[↓ MAIN MENU]
4. TITLE SET ▷

- 2 Move the joystick to the right.

“TITLE SET” will be displayed and the first character “V” will flash.

[TITLE SET]
VSP-3000

- 3 Move the joystick up or down to select a character, and then move the joystick to the right to select the next character.

Repeat these steps to enter the title.

[TITLE SET]
SAN 1001

- 4 Press the ENT button.

The display will return to “4. TITLE SET”.

- 5 Move the joystick up or down to select “14. SAVE/EXIT”, and then move the joystick to the right.

[↑ MAIN MENU]
14. SAVE/EXIT ▷

- 6 Move the joystick to the left or right to select “YES”, and then press the ENT button.

[SAVE / EXIT]
NO <YES>

The setting will be saved and the display will return to the initial screen.

Menu settings (continued)

3 Control ID setting

If using more than one system controller, change the addresses for each of them. The addresses can be assigned to a number within the range of 0 to 4.

(Default setting: 0)

- 1 Move the joystick up or down to select "5. CONTROL ID".

```
[↓ MAIN MENU →]
5. CONTROL ID: 0
```

- 2 Move the joystick to the left or right to assign the address (Example: 3).

```
[↓ MAIN MENU →]
5. CONTROL ID: 3
```

Available settings: 0-4

- 3 Move the joystick up or down to select "14. SAVE/EXIT", and then move the joystick to the right.

```
[↑ MAIN MENU ]
14. SAVE/EXIT ▷
```

- 4 Move the joystick to the left or right to select "YES", and then press the ENT button.

```
[ SAVE / EXIT ]
NO <YES>
```

The setting will be saved and the display will return to the initial screen.

4 Termination setting

Set the termination for the system controller. (Default setting: ON)

- 1 Move the joystick up or down to select "6. TERMINATE".
- 2 Move the joystick to the left or right to set the termination.

```
[↓ MAIN MENU ←]
6. TERMINATE: ON
```

- 3 Move the joystick up or down to select "14. SAVE/EXIT", and then move the joystick to the right.

```
[↑ MAIN MENU ]
14. SAVE/EXIT ▷
```

- 4 Move the joystick to the left or right to select "YES", and then press the ENT button.

```
[ SAVE / EXIT ]
NO <YES>
```

The setting will be saved and the display will return to the initial screen.

5 Sleep setting

You can set the system controller to turn off automatically if it is not operated for a certain period of time. When this is done, a moving “SLEEP MODE” display will appear in the menu display.
(Default setting: OFF)

- 1 Move the joystick up or down to select “7. SLEEP”.

```
[ ↓ MAIN MENU → ]
7 . SLEEP : OFF
```

- 2 Move the joystick to the left or right to select the time (Example: 1 (HOUR)).

```
[ ↓ MAIN MENU ← ]
7 . SLEEP : 1 (HOUR)
```

Available settings:

OFF, 1(MIN), 5(MIN), 10(MIN), 30(MIN), 1(HOUR)

- 3 Move the joystick up or down to select “14. SAVE/EXIT”, and then move the joystick to the right.

```
[ ↑ MAIN MENU ]
14 . SAVE / EXIT ▷
```

- 4 Move the joystick to the left or right to select “YES”, and then press the ENT button.

```
[ SAVE / EXIT ]
NO < YES >
```

The setting will be saved and the display will return to the initial screen.

When the specified sleep mode is reached, the following display will appear.

```
VSP-3000
SLEEP MODE
```



6 Buzzer setting

This sets the buzzer when the system controller is operated.

(Default setting: OFF)

- 1 Move the joystick up or down to select “8. BUZZER”.

```
[ ↓ MAIN MENU → ]
8 . BUZZER : OFF
```

- 2 Move the joystick to the left or right to set the buzzer (Example: ON).

```
[ ↓ MAIN MENU ← ]
8 . BUZZER : ON
```

Available settings: ON, OFF

- 3 Move the joystick up or down to select “14. SAVE/EXIT”, and then move the joystick to the right.

```
[ ↑ MAIN MENU ]
14 . SAVE / EXIT ▷
```

- 4 Move the joystick to the left or right to select “YES”, and then press the ENT button.

```
[ SAVE / EXIT ]
NO < YES >
```

The setting will be saved and the display will return to the initial screen.

Menu settings (continued)

7 Backlight setting

This sets the brightness of the system controller's menu display screen.
(Default setting: OFF)

- 1 Move the joystick up or down to select "9. BACKLIGHT".

```
[ ↓ MAIN MENU → ]  
9 . BACKLIGHT : OFF
```

- 2 Move the joystick to the left or right to set the backlight (Example: AUTO).

```
[ ↓ MAIN MENU ← ]  
9 . BACKLIGHT : AUTO
```

Available settings:

OFF: Never illuminated

ON: Always illuminated

AUTO: Illuminates only while the system controller is being operated, and switches off after approximately 30 seconds.

- 3 Move the joystick up or down to select "14. SAVE/EXIT", and then move the joystick to the right.

```
[ ↑ MAIN MENU ]  
14 . SAVE / EXIT ▷
```

- 4 Move the joystick to the left or right to select "YES", and then press the ENT button.

```
[ SAVE / EXIT ]  
NO <YES>
```

The setting will be saved and the display will return to the initial screen.

8 Mouse setting

Use this setting when operating a DVR with a mouse function. To use the mouse function, change the setting to a setting other than "OFF". Refer to P12 for details on the connection method.
(Default setting: OFF)

- 1 Move the joystick up or down to select "10. MOUSE SET"

```
[ ↓ MAIN MENU → ]  
10 . MOUSE SET : OFF
```

- 2 Move the joystick to the left or right to set the cursor movement speed (Example: LOW).

```
[ ↓ MAIN MENU → ]  
10 . MOUSE SET : LOW
```

Available settings: OFF, LOW, MID, HIGH

- 3 Move the joystick up or down to select "14. SAVE/EXIT", and then move the joystick to the right.

```
[ ↑ MAIN MENU ]  
14 . SAVE / EXIT ▷
```

- 4 Move the joystick to the left or right to select "YES", and then press the ENT button.

```
[ SAVE / EXIT ]  
NO <YES>
```

The setting will be saved and the display will return to the initial screen.

Refer to P29 for details on operating a DVR with mouse function.

9 DVR link setting

The camera images from the DVR which is connected to the system controller switch in line with the camera selection.
(Default setting: ON)

- 1 Move the joystick up or down to select "11. DVR LINK".

```
[ ↓ MAIN MENU  ← ]
11. DVR LINK : ON
```

- 2 Move the joystick to the left or right to set the DVR connection (Example: OFF).

```
[ ↓ MAIN MENU  → ]
11. DVR LINK : OFF
```

Available settings: ON, OFF

- 3 Move the joystick up or down to select "14. SAVE/EXIT", and then move the joystick to the right.

```
[ ↑ MAIN MENU  ]
14. SAVE/EXIT  ▷
```

- 4 Move the joystick to the left or right to select "YES", and then press the ENT button.

```
[ SAVE / EXIT ]
NO           <YES>
```

The setting will be saved and the display will return to the initial screen.

10 Password setting

You can change the password for the system controller.
(Default setting: No password)

- 1 Move the joystick up or down to select "12. PASSWORD".

```
[ ↓ MAIN MENU  ]
12. PASSWORD : ****
```

- 2 Use the numeric buttons to enter a password (Example: 1234) and then press the ENT button.

The password entered will be displayed for approximately 1 second, and then the display will return to the password setting screen.

```
[ ↓ MAIN MENU  ]
12. PASSWORD : 1234
```



```
[ ↓ MAIN MENU  ]
12. PASSWORD : ****
```

- 3 Move the joystick up or down to select "14. SAVE/EXIT", and then move the joystick to the right.

```
[ ↑ MAIN MENU  ]
14. SAVE/EXIT  ▷
```

- 4 Move the joystick to the left or right to select "YES", and then press the ENT button.

```
[ SAVE / EXIT ]
NO           <YES>
```

The setting will be saved and the display will return to the initial screen.

11 Default setting

This returns all settings to the default settings that were in place at the time of shipment from the factory.

- 1 Move the joystick up or down to select “13. FACTORY SET”, and then move the joystick to the right.

```
[ ↑ MAIN MENU   ]  
13 .FACTORY SET ▷
```

- 2 Move the joystick to the left or right to select “YES”, and then press the ENT button.

```
[ FACTORY SET  ]  
NO             <YES>
```

Available settings: NO, YES

Once the default settings have all been set, the display will return automatically to the initial screen.

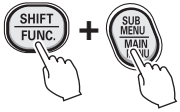


When returning all settings to the default settings, the camera settings and all setting contents will be returned to the settings made at the time of shipment from the factory. You cannot cancel the default setting procedure once it is under way.

Camera settings

■ Camera setup steps

While pressing the **SHIFT/FUNC.** button, press the **SUB MENU/MAIN MENU** button. “CAM SETUP001” will be displayed in the menu display and you will be prompted to enter the password.



[CAM SETUP001]
PASSWORD [----]

..... To set a password, refer to “**10 Password setting**” in the menu setting section. (P18)

No password is set initially, so simply press the **ENT** button.

“1. ADDRESS: 001 (blink)” will be displayed.

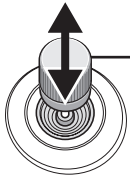


[CAM SETUP001]
OK

[+CAM SETUP001 +]
1. ADDRESS: 001

..... **1** Address setting P21

Use the joystick to switch menu displays.
To save the camera settings, select “7. SAVE”.



[CAM SETUP001]
2. PROTOCOL : SSP
3. BAUDRATE : 19.2k
4. PARITY : NONE
5. PROP. : OFF
6. DVR : 01 CH : 16
7. SAVE
8. EXIT

..... **2** Protocol setting P21

..... **3** Baud rate setting P22

..... This setting cannot be changed.

..... **4** Pan and tilt speed setting P22

..... **5** DVR address and channel setting P23

..... Saves the settings.

..... Returns to the initial screen.



To cancel any changes you have made while carrying out menu settings, press the **ESC/PWR** button. The display will return to the initial screen. Any menu settings which you have changed will not be saved.

Camera settings (continued)

1 Address setting

This selects the camera address.
All settings other than this one will be applied to the selected address.
(Default setting: 001)

- 1 Move the joystick up or down to select “1. ADDRESS”.

[↑CAM SETUP001 ↓]
1. ADDRESS: 001

- 2 Move the joystick to the left or right to select the address, and then press the ENT button.

[↑CAM SETUP001 ↓]
1. ADDRESS: 001

⋮

[↑CAM SETUP255 ↓]
1. ADDRESS: 255



The address can also be selected using the numeric buttons.

2 Protocol setting

This selects the protocol to be used for communication.
(Default setting: SSP)

- 1 Move the joystick up or down to select “2. PROTOCOL”.

[↑CAM SETUP001 ↓]
2. PROTOCOL : SSP

- 2 Move the joystick to the left or right to select the protocol.

The camera address will vary depending on the protocol selected.

Available settings: SSP (001–127)
PEL-D (001–255)
HSSP (001–127)

- 3 Move the joystick up or down to select “7. SAVE”, and then move the joystick to the right.

“OK” will be displayed and the settings will be saved.

[↑CAM SETUP001 ↓] → [UP001]
7. SAVE ▷ OK

- 4 Move the joystick up or down to select “8. EXIT”, and then move the joystick to the right.

Returns to the initial screen.

[↑CAM SETUP001 ↓]
8. EXIT ▷

▼
SANYO SSP 19.2k
CAM: [001] D1 CH01

3 Baud rate setting

This sets the communication speed.
(Default setting: 19.2 Kbps)

- 1 Move the joystick up or down to select “3. BAUDRATE”.

[↑CAM SETUP001 ◆]
3 . BAUDRATE : 19 . 2k

- 2 Move the joystick to the left or right to select the communication speed.

Available settings:

2.4k, 4.8k, 9.6k, 19.2k, 38.4k, 57.6k

- 3 Move the joystick up or down to select “7. SAVE”, and then move the joystick to the right.

“OK” will be displayed and the settings will be saved.

[↑CAM SETUP001] → UP001]
7 . SAVE ▷ OK

- 4 Move the joystick up or down to select “8. EXIT”, and then move the joystick to the right.

Returns to the initial screen.

[↑CAM SETUP001]
8 . EXIT ▷

4 Pan and tilt speed setting

The speed of pan and tilt operations for the camera is controlled by the degree of tilt of the joystick.
(Default setting: OFF)

- 1 Move the joystick up or down to select “5. PROP.”.

[↑CAM SETUP001 →]
5 . PROP . : OFF

Available settings:

ON: Variable

OFF: Constant

- 2 Move the joystick to the left or right to select “ON” or “OFF”.

- 3 Move the joystick up or down to select “7. SAVE”, and then move the joystick to the right.

“OK” will be displayed and the settings will be saved.

[↑CAM SETUP001] → UP001]
7 . SAVE ▷ OK

- 4 Move the joystick up or down to select “8. EXIT”, and then move the joystick to the right.

Returns to the initial screen.

[↑CAM SETUP001]
8 . EXIT ▷

Camera settings (continued)

5 DVR address and channel setting

This assigns the DVR address and channel number to the selected camera. For details, refer to “**Camera address numbers (default value)**”. See page 31.

1 Move the joystick up or down to select “6. DVR”.

The “01” setting assigned to the first DVR will flash.

[↓CAM SETUP001 →]
6 . DVR : 01 CH : 01

2 Move the joystick to the left or right to select the address for the connected DVR (Example: 03), and then press the ENT button.

The cursor will move to “01” and it will flash.

DVR address: 01–99

[↓CAM SETUP001 →]
6 . DVR : 03 CH : 01

3 Move the joystick to the left or right to select the channel number (Example: 16), and then press the ENT button.

Channel number: 01–16

[↓CAM SETUP001 →]
6 . DVR : 03 CH : 16

4 Move the joystick up or down to select “7. SAVE”, and then move the joystick to the right.

“OK” will be displayed and the settings will be saved.

[↓CAM SETUP001] UP001]
7 . SAVE ▷ OK

5 Move the joystick up or down to select “8. EXIT”, and then move the joystick to the right.

Returns to the initial screen.

[↑CAM SETUP001]
8 . EXIT ▷

Camera operations

■ Operating the camera from the system controller

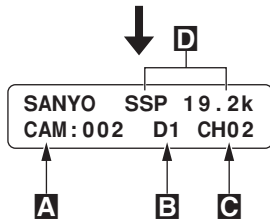
Press the button corresponding to the number of the camera to be operated (Example: 2), and then press the ENT button.

```
SANYO  SSP 19.2k  
CAM:001  D1 CH01
```

Camera 2 will be selected and the channel connected to DVR 01 will change to 2.

For details, refer to “Camera address numbers (default value)”. See page 31.

```
SANYO  SSP 19.2k  
CAM:2_
```



- A** Currently-selected camera address number (CAM:002)
- B** Currently-connected DVR number (D1)
- C** Channel number of currently-connected DVR (CH02)
- D** Communication protocol (SSP)/speed (19.2k)

■ Camera operation buttons



Joystick:

When in camera mode and a camera menu is not being displayed, this can be used to carry out pan, tilt and zoom operations.



AUTO PAN START: (P27)

When this button is pressed, automatic panning is carried out between the preset panning positions.

When some other operation is carried out, automatic panning stops.



AUTO SEQ START: (P27)

When this button is pressed, sequential panning is carried out between the preset sequential positions.

When some other operation is carried out, automatic sequential panning stops.



AUTO TOUR START: (P27)

When this button is pressed, the camera starts moving along the path that has been preset at the camera.

When some other operation is carried out, automatic tour operation stops.



OPEN CAM MENU?:

This is used to display the camera menu. You will be prompted to enter a password in order to display the menu. For details, refer to “Operating the camera by changing camera menu settings using the system controller”. See page 25.



AUX ON:

Turns on and off an auxiliary function. For details, refer to “Auxiliary function operation”. See page 26.



AUTO FOCUS:

Automatically focuses the images which are currently being monitored.

**FOCUS NEAR:**

Adjusts the focus to the nearest object.

FOCUS FAR:

Adjusts the focus to the furthest object.

**GO PRESET P:**

The camera will move to the preset position which has been recorded.

For details, refer to “**Preset position retrieval operation**”. See page 26.

**MEM.PRESET: ?:**

Lets you record an object into a preset setting.

For details, refer to “**Preset memory operations**”. See page 26.

**IRIS OPEN:**

Increases the iris level setting.

IRIS CLOSE:

Decreases the iris level setting.

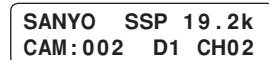
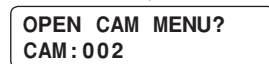
■ Operating the camera by changing camera menu settings using the system controller

1 Press the CAM MENU button.

The “OPEN CAM MENU?” menu will be displayed.

**2 No password is set initially, so simply press the ENT button.**

The camera's menu screen will be displayed on the monitor.



While pressing the SHIFT/FUNC. button, press the CAM MENU button to exit the camera menu.



* Only available for the VCC-9500/9600/9700/9800 series.

3 Use the joystick to select a menu, and then press the ENT button to display the sub-menu.

For details on menu operations, refer to the operating instructions for the camera.

■ Auxiliary function operation

Transmits AUX ON/OFF commands to the selected cameras.

For details, refer to “List of auxiliary commands for Sanyo cameras”. (P30)

1 Press the AUX button.

“AUX ON” will be displayed.

If the AUX button is pressed once more, the display changes to “AUX OFF”.

AUX ON : []
1-16 ENT/ESC

2 Press a numeric button (Example: 2) and then press the ENT button.

AUX ON : 2_
CAM : 001



AUX ON : 2
1-16 ENT/ESC

Available settings:

Sanyo SSP/HSSP: 1-16
Pelco-D: 1-8

■ Preset position retrieval operation

This retrieves preset positions which have been recorded by the camera beforehand. Up to 255 settings can be retrieved. (Varies depending on model.)

1 Press the PRESET GO button.

“GO PRESET P” will be displayed.

GO PRESET P : _
1-255 ENT/ESC

2 Press a numeric button (Example: 1) and then press the ENT button.

The camera will move to preset position 1.

GO PRESET P : 1
CAM : 001

■ Preset memory operations

Records preset positions into the cameras. First use the joystick or some other method to select a preset position for the camera.

1 Press the PRESET MEMORY button.

You will be prompted for the password.

MEM . PRESET : ?
PASSWORD [----]

2 No password is set initially, so simply press the ENT button.

MEM . PRESET : _
1-255 ENT/ESC

3 Press a numeric button (Example: 1) to select the desired preset number, and then press the ENT button.

Preset position 1 has now been recorded.

MEM . PRESET : 1
CAM : 001



- If you make a mistake with a number while entering any of the settings, press the CLR button.



- To return to another operation, press the ESC/PWR button to return to the initial screen.



Camera operations (continued)

■ Retrieving pan, sequence and tour operations recorded in a PTZ camera

You can select preset pan, sequence and tour operations so that these operations can be carried out.

This operation is limited to the following camera models which already contain preset operations.

- VCC-9500/9600/9700/9800 series



If you enter a number outside the range of 1 to 4, “error” will be displayed, so re-enter the number.

PAN PATTERN:
error

A Pan operation

- 1 While pressing the SHIFT/FUNC. button, press the PAN button.
“PAN PATTERN” will be displayed.



PAN PATTERN: _
1-4 ENT/ESC

- 2 Press a numeric button (Example: 2) and then press the ENT button.

The pan operation recorded for the selected number will then be carried out.
Returns to the initial screen.

PAN PATTERN: 2
CAM: 002



SANYO SSP 19.2k
CAM: 001 D1 CH01

B Sequence operation

- 1 While pressing the SHIFT/FUNC. button, press the SEQ button.
“SEQ PATTERN” will be displayed.



SEQ PATTERN: _
1-4 ENT/ESC

- 2 Press a numeric button (Example: 2) and then press the ENT button.

The sequence operation recorded for the selected number will then be carried out.
Returns to the initial screen.

SEQ PATTERN: 2
CAM: 002

C Tour operation

- 1 While pressing the SHIFT/FUNC. button, press the TOUR button.
“TOUR PATTERN” will be displayed.



TOUR PATTERN: _
1-4 ENT/ESC

- 2 Press a numeric button (Example: 2) and then press the ENT button.

The tour operation recorded for the selected number will then be carried out.
Returns to the initial screen.

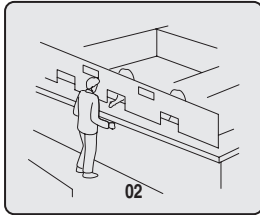
TOUR PATTERN: 2
CAM: 002

DVR operation

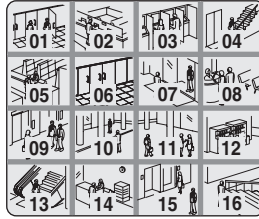
■ Switching the DVR screen display

The only DVR function that can be operated from the system controller is the screen display switching function.

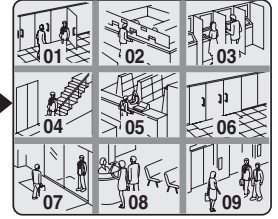
The monitor screen can be switched between multi-screen, quad-screen or single-screen display by pressing the following buttons.



(Single-screen display)



(Multi-screen display)



SANYO SSP 19.2k
CAM:001 D1 CH01



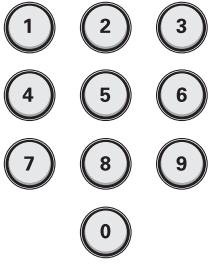
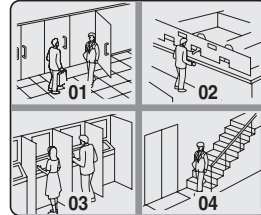
SANYO SSP 19.2k
MULTI D1 CH--



While pushing

SANYO SSP 19.2k
QUAD D1 CH--

(Quad-screen display)



Operating a DVR with mouse function

Use the accessory USB cable to connect a DVR with mouse function (such as the HD-8000) to the USB mouse port at the rear of the system controller. For details on the connection method, refer to P12.

- 1 Press the mouse (🖱️) button.**
“MOUSE MODE” will be displayed, and you can then use the joystick to move the cursor. Camera operations cannot be carried out at this time.

SANYO SSP 19.2k
MOUSE MODE

L button: Left click

R button: Right click

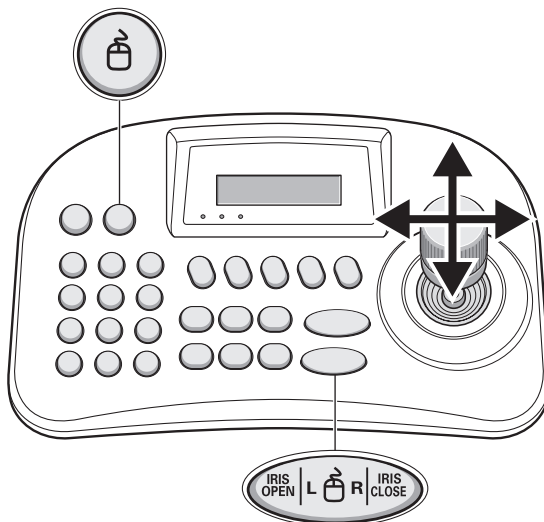


- 2 Press the mouse button once more.**
The display will return to the initial screen and camera operations can then be carried out.

SANYO SSP 19.2k
CAM: 001 D1 CH01



If using this function, first use the menu settings to activate the function. For details, refer to “**3** Mouse setting”. See page 17.



Appendices

■ List of auxiliary commands for Sanyo cameras

The commands are examples of commands for the VCC-9500/9600/9700/9800 series.

Auxiliary command	ON	OFF	Operation
1	Switch to Color Mode	Pan/Tilt control 1	Switches a day/night camera to color mode.
2	Switch to B/W Mode	Pan/Tilt control 2	Switches a day/night camera to black & white mode.
3	Switch to Day/Night Auto Mode	Pan/Tilt control 3	Switches a day/night camera to day/night automatic mode.
4	AUTO RETURN Function ON	AUTO RETURN Function OFF	For a description of the automatic return function, refer to the instruction manual.
5	GLOBAL ADDRESS Function ON	GLOBAL ADDRESS Function OFF	For Pelco-D only. Address 99 allows all cameras to receive the command and operate.
6	REMOTE SET	REMOTE RESET	Only enabled when alarm output 2 is set to "REMOTE". For details, refer to the instruction manual.
7	–	–	–
8	ALARM DISABLE Function ON	ALARM DISABLE Function OFF	Alarms cannot be received for a set period of time during and after operation of a PTZ camera. For a description of the alarm disable function, refer to the instruction manual.
9	AUTO PURSUIT Function ON	AUTO PURSUIT Function OFF	VCC-9700/9800 series only. For details on the automatic pursuit function, refer to the instruction manual.

* Auxiliary commands 1, 2 and 3 are also valid for day/night-type zoom cameras.

Appendices (continued)

■ Camera address numbers (default value)

Camera address

Connected DVR

Connected channel No.

CAM No.	DVR	CH	CAM No.	DVR	CH	CAM No.	DVR	CH	CAM No.	DVR	CH
1	1	1	33	3	1	65	5	1	97	7	1
2	1	2	34	3	2	66	5	2	98	7	2
3	1	3	35	3	3	67	5	3	99	7	3
4	1	4	36	3	4	68	5	4	100	7	4
5	1	5	37	3	5	69	5	5	101	7	5
6	1	6	38	3	6	70	5	6	102	7	6
7	1	7	39	3	7	71	5	7	103	7	7
8	1	8	40	3	8	72	5	8	104	7	8
9	1	9	41	3	9	73	5	9	105	7	9
10	1	10	42	3	10	74	5	10	106	7	10
11	1	11	43	3	11	75	5	11	107	7	11
12	1	12	44	3	12	76	5	12	108	7	12
13	1	13	45	3	13	77	5	13	109	7	13
14	1	14	46	3	14	78	5	14	110	7	14
15	1	15	47	3	15	79	5	15	111	7	15
16	1	16	48	3	16	80	5	16	112	7	16
17	2	1	49	4	1	81	6	1	113	8	1
18	2	2	50	4	2	82	6	2	114	8	2
19	2	3	51	4	3	83	6	3	115	8	3
20	2	4	52	4	4	84	6	4	116	8	4
21	2	5	53	4	5	85	6	5	117	8	5
22	2	6	54	4	6	86	6	6	118	8	6
23	2	7	55	4	7	87	6	7	119	8	7
24	2	8	56	4	8	88	6	8	120	8	8
25	2	9	57	4	9	89	6	9	121	8	9
26	2	10	58	4	10	90	6	10	122	8	10
27	2	11	59	4	11	91	6	11	123	8	11
28	2	12	60	4	12	92	6	12	124	8	12
29	2	13	61	4	13	93	6	13	125	8	13
30	2	14	62	4	14	94	6	14	126	8	14
31	2	15	63	4	15	95	6	15	127	8	15
32	2	16	64	4	16	96	6	16			

- The camera address for channel 16 of DVR3 is 48.

[↕CAM SETUP048↕]
6.DVR:03 CH:16

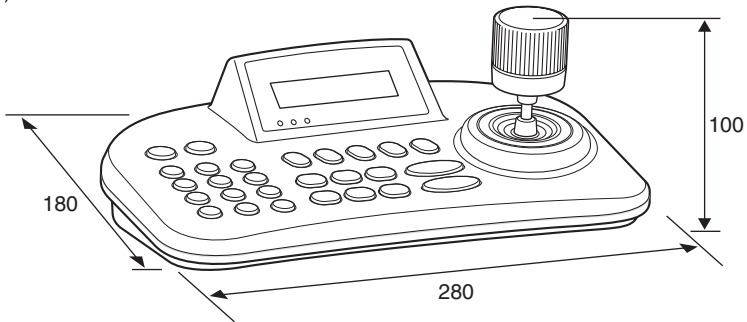
Specifications

Communication format	RS485, RS-422
Keyboard	29 keys
Joystick	3-axis joystick (pan / tilt / zoom)
Control communication terminal	Tx1, Tx2, Tx3, TRx
Protocol	SSP, H-SSP, Pelco-D
USB mouse port	Compatible with DVRs with mouse function
Communication speed	2400, 4800, 9600, 19200, 38400, 57600 bps
Max. number of connectable units	256 <ul style="list-style-type: none">• Cameras: SSP/HSSP: 127, Pelco-D: 255• Controllers: 5• Digital video recorders: 99
Operating environment	Temperature: 5° to 40°C Humidity: 80% or lower
Storage environment	Temperature: -20° to 60°C Humidity: 80% or lower
Power supply (AC adapter)	Input voltage: 100–240 V AC 50/60Hz Output voltage: 12 V DC
Current consumption	0.2 A
Weight	750 g

Appearance and specifications are subject to change without prior notice.

■ External dimensions

(Units: mm)



SANYO

SANYO Electric Co., Ltd.